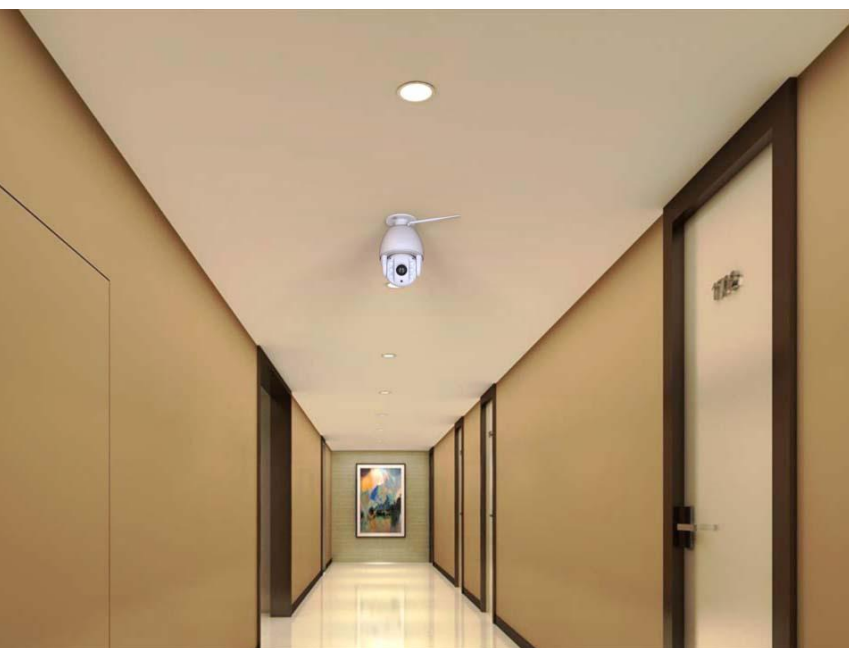




BC204 **PTZ IP CAMERA**

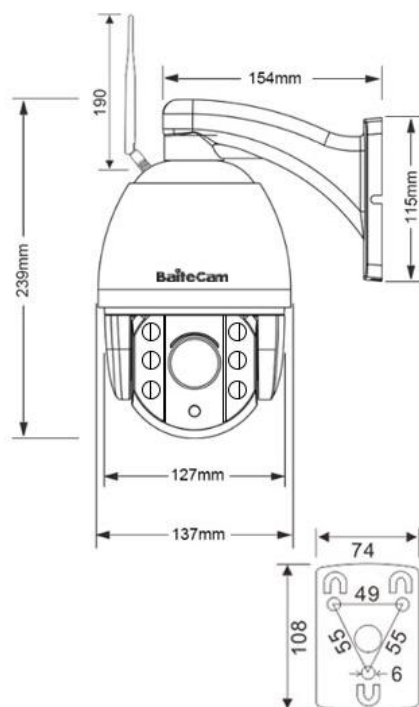


- 4 inch Starlight PTZ dome IP camera
- Zoom: 5x; HD 2.0 MP (5.0 MP optional)
- Pan: 0-355°; Tilt: 0-90°
- Wireless connection: Wi-Fi / 4G SIM card
- IR distance up to 80 meters
- Support max 128GB TF card storage
- APP(iOS, Android) and CMS software in PC, Mac, easily remote view & control.
- IP66

Features

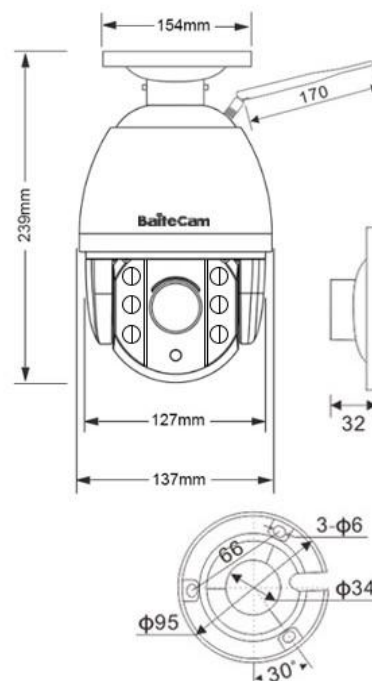
- ✓ High performance with easy accessibility for security solution.
- ✓ Wireless connection via WIFI or 4G sim card, suitable for remote areas.
- ✓ High definition, lens from Sony, 2.0MP (1920x1080) / 5.0MP (2560x1920) for choice.
- ✓ Pan: 0-355°. Tilt: 0-90°. Zoom: 5x optical zoom (focal length: 2.7 ~ 13.5mm).
- ✓ Support P2P, view at anywhere, anytime. Support iOS, Android, Windows PC and Mac.
- ✓ 6pcs Array Infrared LEDs, HD IR night distance up to 80 meters.
- ✓ Motion detection alarm and video recording, support recording in PC.
- ✓ Built-in TF card slot, support for max 128G TF card storage. Loop record for 3 weeks in general.
- ✓ Built-in microphone, effective distance up to 15 meters.
- ✓ Plug and play, easy to install TF card and SIM card.
- ✓ IP66 waterproof, aluminum alloy casing and ABS plastic housing.
- ✓ Support ONVIF.

Dimensions **Wall Mounting**



Unit: mm

Dimensions **Ceiling Mounting**



Parameters

Model No.		BC204-W	BC204-S	BC204-B
Camera	Image Sensor	1/2.9" Sony307 Progressive CMOS		
	Effective Pixels	2MP(1920*1080), 5MP(2560x1920) Optional		
	Lens	2.7 to 13.5mm varifocal length		
	Zoom	5X optical zoom,		
	View Angle	89.9° - 26.2°		
	Min. Illumination	0.01 Lux / 0 Lux(IR on)		
	IR-cut	Auto		
	IR Distance	Up to 80 m (265.5 ft)		
Video	Compression	H.265/H.264 Main Profile/H.264 Baseline		
	Streaming Capability	2 streams		
	Resolution (2.0MP)	First stream: 1080P(1920x1080), 720P(1280x720)		
		Second stream: Q720P(640x480/640x352)		
		JPEG stream :(Responsive for phones) Q720P(640x352), QQ720P(320x176)		
	Code Rate	32 kbps - 8192 kbps Supports Constant Bit Rate/Variable Bit Rate		
	Frame Rate	18fps(PAL 50HZ); 20fps(NTSC 60HZ)		
	Image Settings	Brightness, saturation, contrast, Sharpness, Exposure, flip, mirror		
Image Enhancement	Backlight Compensation, Automatic White Balance, Digital WDR, 3D Noise Reduction			
Audio	Compression	G.726/G.711		
	Code Rate	Rate adaptive		
	Two-way Audio	Built-in Microphone with external Speaker (included)		
Function	Motion Detecting	Max 4 independent detection areas can be set (1-100 sensitivity)		
	Alarm Actions	Email Push: Send pictures to specific email address		
		APP Notification: Push alarm message to phone/tablet		
		FTP Upload: upload pictures and videos to the FTP server		
		Local Storage: save pictures and videos in Micro SD card		
		PC Storage: upload pictures and videos to PC CMS software via WIFI or SIM card data		
	Privacy Mask	Support		
	OSD	Support camera name, date and time information superimposed		
User Management	Support			
Simultaneous Viewers	Support max 12 users			
Network	4G*	-	√	√
	WIFI (2.4GHz)	√	-	√
	Ethnert	√	Optional	
	Access Point	Built-in		

PTZ	Pan/Tilt Range	Pan: 0° - 355°
		Tilt: 0° - 90°
	Pan/Tilt Speed	Pan: 1° - 40°/S
Tilt: 1° - 40°/S		
	Preset	8 points
Storage	TF Card Slot	Support max 128GB micro SD card
	PC Record	Support Motion Detection Rec & Plan Rec in PC
	APP Record	Support. Easily record by APP in your phone manually
	ONVIF	Support
General	Power Supply	DC 12V/2A, Φ 5.5 mm coaxial power plug
	Power Consumption	3W (Daytime); 12W (Night)
	Operating Temp.	-10°C to 60°C
	Operating Humidity	\leq 90%
	Main Material	Metal housing
	Installation	Wall mounting (default) / Ceiling mouting
	Protection Level	IP66
	Packing Size	195 x 185 x 250 mm (7.7 x 7.3 x 9.8 in)
Packing Weight	2 kg (4.4 lb)	

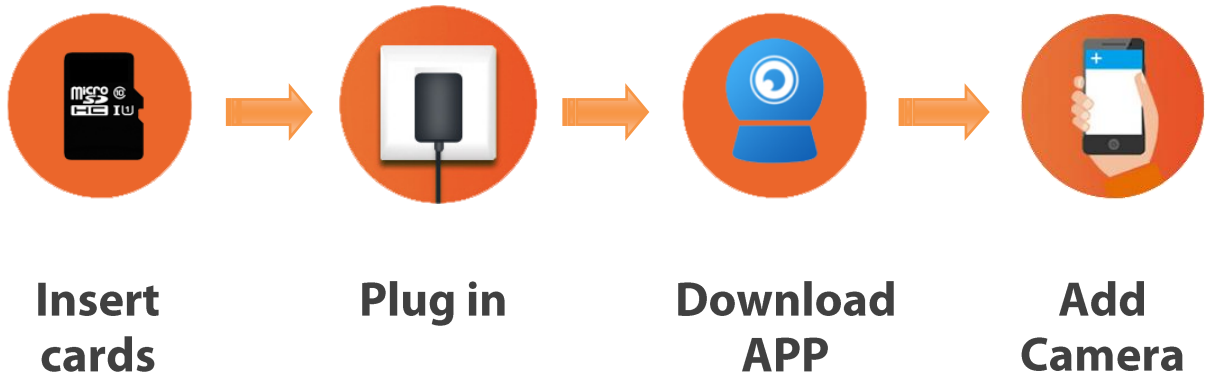
*4G band: will change inside 4G module to fit user's country.

*BC204-B: manual shift for 4G / WIFI network.

Interface Details



Easy Connection



Range of Applications

